

Optically-bonded 5-inch LCD  
designed for harsh environments

High-brightness screen for full  
sunlight viewability

Glass display surface offers  
enhanced clarity and strength

Glove-friendly touch panel



## FEATURE-RICH GLASS-FRONT DISPLAY BRINGS RUGGED PERFORMANCE FOR SMALL FOOTPRINTS

For rugged applications without a lot of space, the PowerView 500 is the perfect fit. With a 5-inch LCD screen, operators can get the full view of their equipment on a single all-weather display.

Perfect for all kinds of vehicles and equipment, the PV500 is easily viewed in full sunlight and contains an optically-bonded high-bright LCD inside its IP67-rated case to keep it safe in all weather environments.

Equipped with a high-speed processor, the PV500 delivers high-quality graphics and animations for a rich user experience.

The PV500 is available with a glass-front, with a glove-friendly touchscreen and non-touchscreen models to suit the needs of your application.

### BUILT FOR POWERVISION

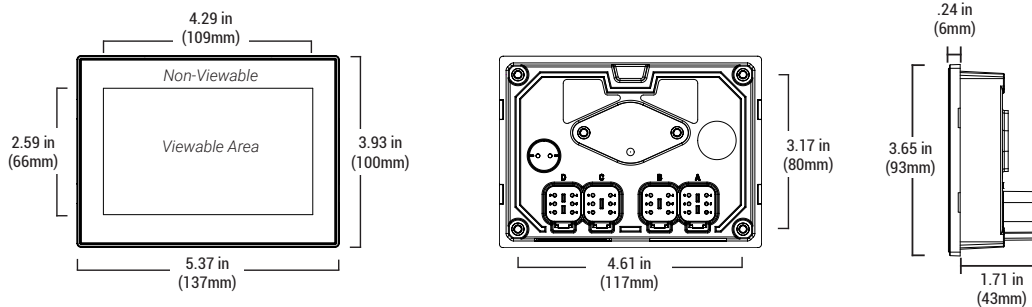
PowerVision Configuration Studio<sup>®</sup> software lets programmers design stunning user interfaces, create intelligent applications with scripting and prototype quickly with a vast library of standard engine parameters.



**IP  
67**

# POWerview<sup>®</sup> 500

## DIMENSIONS



## PRODUCT SPECIFICATIONS

COMPUTING	
PROCESSOR	Renesas <sup>®</sup> RZ/G1E Arm <sup>®</sup> Cortex <sup>®</sup> -A7 dual-core processor @ 1.0 GHz
OPERATING SYSTEM	QNX <sup>®</sup> Realtime Operating System
STORAGE	8 GB flash memory
RAM	256 MB DDR3-SDRAM
DISPLAY	
DISPLAY AREA	5" (108mm [H] x 64.8mm [V])
TYPE	LVDS TFT LCD with LED backlight, 24-bit color
RESOLUTION	800 x 480 (WVGA)
CONTRAST RATIO	Typ. 1000:1
BRIGHTNESS	900 cd/m <sup>2</sup> (900 nits)
SURFACE	Anti-glare
TOUCH PANEL	Projected capacitive (PCAP) with glove touch
HARDWARE	
REAL TIME CLOCK	Li-Ion battery backup (Typ. lifespan 10 years) non-rechargeable, non-replaceable
CONNECTORS	(4) 6-position DEUTSCH <sup>®</sup> style DT series
VIDEO INPUTS	(2) NTSC/PAL (single channel viewable)

COMMUNICATION	
CAN	(2) CAN 2.0B according to ISO-11898-2; J1939 and proprietary messaging
SERIAL	(1) RS-485 MODBUS Master/Slave Port
USB	USB 2.0 full speed host
ELECTRICAL	
OPERATING VOLTAGE	6 – 36 VDC, reverse polarity protected Min current draw @ 24V: 0.202A Max current draw @ 24V: 0.297A Min current draw @ 12V: 0.318A Max current draw @ 12V: 0.438A
INPUTS	(1) Analog 0–5 VDC, 4–20 mA, resistive, 10-bit resolution (1) Discrete digital, active-high
OUTPUTS	(2) 500 mA switched low-side
ENVIRONMENTAL	
OPERATING TEMPERATURE	-30°C to +85°C (-22°F to +185°F)
STORAGE TEMPERATURE	-40°C to +85°C (-40°F to +185°F)
PROTECTION	IP66 and IP67, front and back, for outdoor use
VIBRATION	Random vibration, 8.17 Grms (5–2000Hz), 3 axes
SHOCK	±50G in 3 axes
EMC/EMI	SAE J1113, ISO 13766, CE per 2014/30/EU

**⚠ WARNING:** This product can expose you to chemicals including lead, which is known to the State of California to cause cancer. For more information, go to [www.P65Warnings.ca.gov](http://www.P65Warnings.ca.gov).

FOR MODEL & PART INFORMATION

FOR MANUAL & SUPPORT DOCUMENTS

FOR SUPPORT & WARRANTY

[ENOVATIONCONTROLS.COM/PV500](http://ENOVATIONCONTROLS.COM/PV500)

[SUPPORT.ENOVATIONCONTROLS.COM](http://SUPPORT.ENOVATIONCONTROLS.COM)

[ENOVATIONCONTROLS.COM/SUPPORT](http://ENOVATIONCONTROLS.COM/SUPPORT)

## SALES CONTACT



### CONTACT

✉ [sales@enovationcontrols.com](mailto:sales@enovationcontrols.com)  
☎ +1 918.317.4100

### CORPORATE HEADQUARTERS

5311 S 122nd E Ave  
Tulsa, Oklahoma, USA 74146

United States • United Kingdom • India • China



FM 28221 (Tulsa, OK-USA)  
FM 29422 (UK)